

# Security cylinder T60



## Technical data

It is a reversible dimple key system which covers basic security levels.

Security * *	Masterkeying * *
-----------------	---------------------

## Characteristics

- » Type: Dimple key. (Brass nickel plated).
- » Number of rows: 1
- » Number of pins: 6
- » Combination level: Grade 5
- » Technology: Tumbler regular.
- » Corrosion resistance: Grade B.
- » Anti pick system.
- » Drill resistant.
- » Bump proof cylinder lock.
- » Lifespan: 100,000 test cycles.
- » 3 / 5 keys per cylinder.
- » Conform to EN-1303 regulation

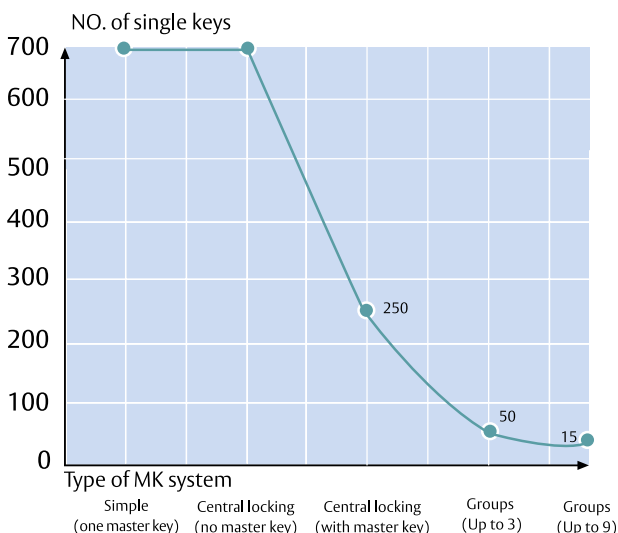
## Options

- » Double security clutch.
- » Modular. (For unusual measures o anti snap protection)
- » Cams: DIN R15, R13 and different pinion gears.
- » Finishes: Brass / Nickel plated.
- » Formats available: Key different, mater keyed, key alike and specific codes.
- » Wide size and profile range.

## Masterkey systems

The platform that supports its manufacturing makes it possible to combine a maximum number of 7 heights per position. The T60 is a suitable system for Masterkey systems where complexity levels are not too high.

### ONLY AVAILABLE FOR ADDITIONS



## European standard regulation

T60 is certified according to the standard EN 1303 regulation, getting the following results.

Without scutcheon:

1	6	0	B	0	B	5	0
---	---	---	---	---	---	---	---

With scutcheon:

1	6	0	B	0	B	5	D
Key resistance (Grade 0-1)	Lifespan (Grade 4-6)	Door mass (Not applied in cylinders)	Fire resistance (Grade 0-A-B)	Safety of the people (Not applied in cylinders)	Corrosion and temperature resistance (Grade 0-A-B-C)	Key related security (Grade 1 to 6)	Attack resistance (Grade 0-A-B-C-D)

## Recommendations

- » Use TESA lubricant to lengthen the maximum lifespan of the cylinder.
- » Use original keys to make copies.
- » For safety reasons, when you select a new cylinder, remember that once installed, it should not project more than 1mm.



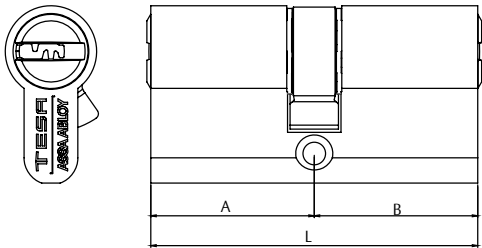
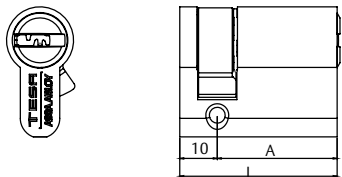
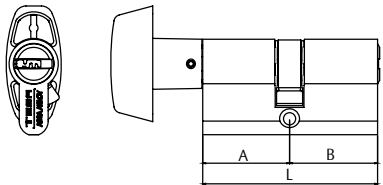
Pour plus d'informations, visitez [www.tesa.es](http://www.tesa.es) ou envoyer un e-mail à [marketing@tesa.es](mailto:marketing@tesa.es)  
Cylinders | TESA catalogue 25

D

# Security cylinder T60

## European profile

32 uds. (L≤90)  
30 uds. (L>90)

Double european		L	A	B	Cam = 15 mm	Finish	Short cam Cam = 13,2 mm	Finish
		60	30	30	T655 30 30 L	Brass	M650 30 30 N	Nickel
		65	30	35	T655 30 35 L	Brass	M650 30 35 N	Nickel
		70	30	40	T655 30 40 L	Brass	M650 30 40 N	Nickel
		70	35	35	T655 35 35 L	Brass	M650 35 35 N	Nickel
		75	30	45	T655 30 45 L	Brass	M650 30 45 N	Nickel
		75	35	40	T655 35 40 L	Brass	M650 35 40 N	Nickel
		80	30	50	T655 30 50 L	Brass	M650 30 50 N	Nickel
		80	35	45	T655 35 45 L	Brass	M650 35 45 N	Nickel
		80	40	40	T655 40 40 L	Brass	M650 40 40 N	Nickel
		85	35	50	T655 35 50 L	Brass	M650 35 50 N	Nickel
		90	30	60	T655 30 60 L	Brass	M650 30 60 N	Nickel
		90	35	55	T655 35 55 L	Brass	M650 35 55 N	Nickel
		90	40	50	T655 40 50 L	Brass	M650 40 50 N	Nickel
		90	45	45	T655 45 45 L	Brass	M650 45 45 N	Nickel
		100	30	70	T655 30 70 L	Brass	M650 30 70 N	Nickel
		100	40	60	T655 40 60 L	Brass	M650 40 60 N	Nickel
		100	50	50	T655 50 50 L	Brass	M650 50 50 N	Nickel
		110	30	80	T655 30 80 L	Brass	M650 30 80 N	Nickel
		110	50	60	T655 50 60 L	Brass	M650 50 60 N	Nickel
		120	30	90	T655 30 90 L	Brass	M650 30 90 N	Nickel
		120	40	80	T655 40 80 L	Brass	M650 40 80 N	Nickel
		120	60	60	T655 60 60 L	Brass	M650 60 60 N	Nickel
		130	30	100	T655 31 00 L	Brass	M650 31 00 N	Nickel
		140	40	100	T655 41 00 L	Brass	M650 41 00 N	Nickel
		150	50	100	T655 51 00 L	Brass	M650 51 00 N	Nickel
		160	60	100	T655 61 00 L	Brass	M650 61 00 N	Nickel
Single european		L	A	B	Cam = 15 mm	Finish	Cam = 13,2 mm	Finish
		40	30	10	T655 30 10 L	Brass	M650 30 10 N	Nickel
		45	35	10	T655 35 10 L	Brass	M650 35 10 N	Nickel
		50	40	10	T655 40 10 L	Brass	M650 40 10 N	Nickel
		60	50	10	T655 50 10 L	Brass	M650 50 10 N	Nickel
		70	60	10	T655 60 10 L	Brass	M650 60 10 N	Nickel
		80	70	10	T655 70 10 L	Brass	M650 70 10 N	Nickel
		90	80	10	T655 80 10 L	Brass	M650 80 10 N	Nickel
		100	90	10	T655 90 10 L	Brass	M650 90 10 N	Nickel
Knob european		L	A	B	Cam = 15 mm	Finish	Cam = 13,2 mm	Finish
		60	30	30	T65B 30 30 L	Brass	M65B 30 30 N	Nickel
		65	30	35	T65B 30 35 L	Brass	M65B 30 35 N	Nickel
		70	35	35	T65B 35 35 L	Brass	M65B 35 35 N	Nickel
		70	40	30	T65B 40 30 L	Brass	M65B 40 30 N	Nickel
		80	30	50	T65B 30 50 L	Brass	M65B 30 50 N	Nickel
		80	40	40	T65B 40 40 L	Brass	M65B 40 40 N	Nickel
		85	35	50	T65B 35 50 L	Brass	M65B 35 50 N	Nickel
		90	30	60	T65B 30 60 L	Brass	M65B 30 60 N	Nickel
		90	45	45	T65B 45 45 L	Brass	M65B 45 45 N	Nickel

\* If you wish to order copies of the same key or masterkeying, just add KA or AM at the end of each reference.

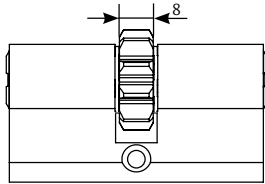
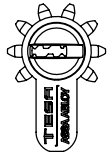
\* In the case of Masterkey systems, only available for MKS extensions.

\* In order to choose the finish, select 'L' for brass or 'N' for nickel as the last letter in the code.

\* The brass-plated finish in R13 is only available for sizes up to 80mm.

# Security cylinder T60

## European profile

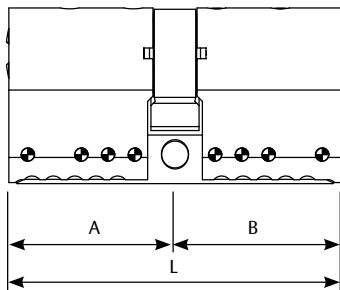


European double with 10 teeth pinion gear

L	A	B	Pinion Z10 D24	Finish	Pinion Z10 D24	Finish
60	30	30	T65P3030L	Brass	T65P3030N	Nickel
64	32	32	T65P3232L	Brass	T65P3232N	Nickel
70	30	40	T65P3040L	Brass	T65P3040N	Nickel
74	32	42	T65P3242L	Brass	T65P3242N	Nickel
75	35	40	T65P3540L	Brass	T65P3540N	Nickel

These part numbers are assembled with a 10 teeth pinion gear and outside diameter of 24 mm. The clutch housing is aligned with the tooth. They are not compatible with double security clutch.

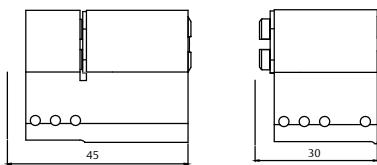
European modular



These part numbers are for modular cylinders assembled from the factory. Measurements for side A and B will be required when processing an order. The Cam, only if it is different to the standard (R15).

L	A	B	Exc. = 15 mm	Finish	Exc. = 15 mm	Finish
140	--	--	T655140LMD	Brass	T655140NMD	Nickel
145	--	--	T655145LMD	Brass	T655145NMD	Nickel
150	--	--	T655150LMD	Brass	T655150NMD	Nickel
155	--	--	T655155LMD	Brass	T655155NMD	Nickel
160	--	--	T655160LMD	Brass	T655160NMD	Nickel
165	--	--	T655165LMD	Brass	T655165NMD	Nickel
170	--	--	T655170LMD	Brass	T655170NMD	Nickel
175	--	--	T655175LMD	Brass	T655175NMD	Nickel
180	--	--	T655180LMD	Brass	T655180NMD	Nickel
185	--	--	T655185LMD	Brass	T655185NMD	Nickel
190	--	--	T655190LMD	Brass	T655190NMD	Nickel
195	--	--	T655195LMD	Brass	T655195NMD	Nickel
200	--	--	T655200LMD	Brass	T655200NMD	Nickel

Eu European modular heads (to be used with the modular cases)



L	A	B	-	Finish	-	Finish
30	30	--	T60530LMD	Brass	T60530NMD	Nickel
45	45	--	T60545LMD	Brass	T60545NMD	Nickel
60	30	30	T60560LMD	Brass	T60560NMD	Nickel
75	30	45	T60575LMD	Brass	T60575NMD	Nickel
90	45	45	T60590LMD	Brass	T60590NMD	Nickel

\* If you wish to order copies of the same key or masterkeying, just add KA or AM at the end of each reference.

\* In the case of Masterkey systems, only available for MKS extensions.

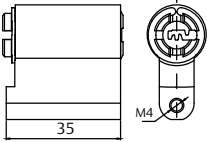
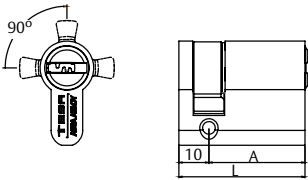
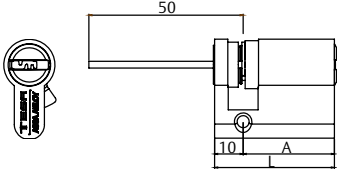
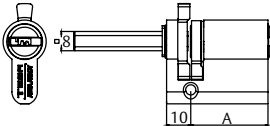
\* In order to choose the finish, select 'L' for brass or 'N' for nickel as the last letter in the code.

\* The brass-plated finish in R13 is only available for sizes up to 80mm.



# Security cylinder T60

## European profile

Padlock exchangeable	L	A	B	Product code	Finish
	-	-	-	T65CL55L	Brass
	-	-	-	T65CL55N	Nickel
Adjustable cam. Single profile (4 positions)	L	A	B	Product code	Finish
	40	30	10	T65W3010L	Brass
	40	30	10	T65W3010N	Nickel
Adjustable european cylinder	L	A	B	Product code	Finish
	40	30	10	T65R3010L	Brass
	40	30	10	T65R3010N	Nickel
	50	40	10	T65R4010L	Brass
	50	40	10	T65R4010N	Nickel
Euro cylinder for lock set 3520	L	A	B	Product code	Finish
	40	30	10	T652520L	Brass
	40	30	10	T652520N	Nickel

\* If you wish to order copies of the same key or masterkeying, just add KA or AM at the end of each reference.

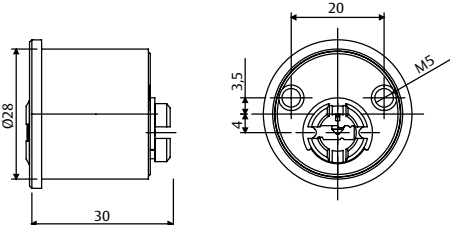
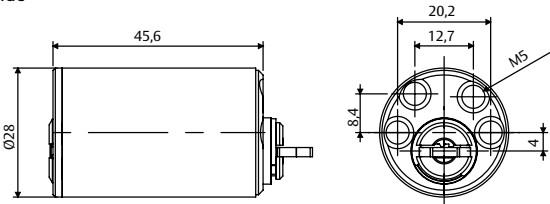
\* In the case of Masterkey systems, only available for MKS extensions.

\* In order to choose the finish, select 'L' for brass or 'N' for nickel as the last letter in the code.

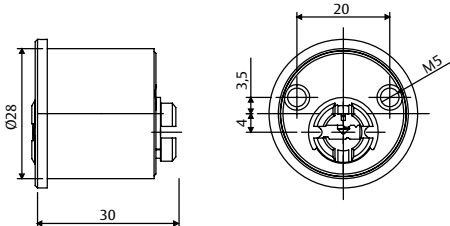
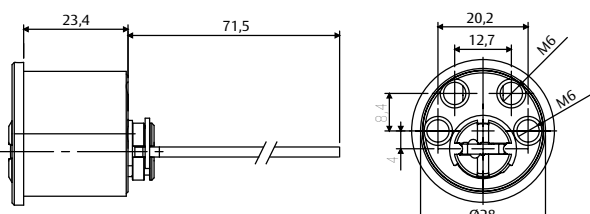
\* The brass-plated finish in R13 is only available for sizes up to 80mm.

# Security cylinder T60

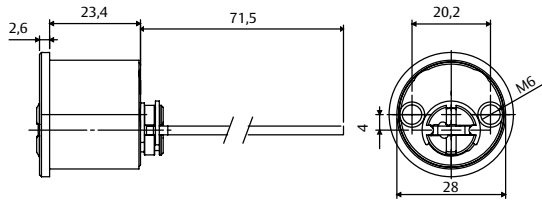
## Round profiles

Round for TS lock sets		Ø	Inside length	Outside length	Product code	Finish
Inside		28	30	45	T6TS40LC	Brass
		28	30	45	T6TS40LT	Brass
Outside						

The ref. LC includes external shield and fixing plate.

Round for TS lock sets		Ø	Inside length	Outside length	Product code	Finish
Inside		28	30	Regulable	T6TSRFLC	Brass
		28	30	Regulable	T6TSRFLT	Brass
Outside						

The ref. LC includes external shield and fixing plate.

Adjustable round cylinder		Ø	Inside length	Outside length	Product code	Finish
		28	-	Regulable	55T605LT	Brass
		28	-	Regulable	55T605LN	Nickel

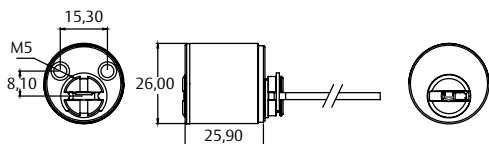
\* If you wish to order copies of the same key or masterkeying, just add KA or AM at the end of each reference.

\* In the case of Masterkey systems, only available for MKS extensions.



# Security cylinder T60

## Round profiles



Part number with "H" = AUMON / Serraller = "V"

Round for AUMON & Serraller locks	Ø	Inside length	Outside length	Product code	Finish
	26	-	Adjustable	T65REGAUHL	Brass
	26	-	Adjustable	T65REGAUHN	Nickel
	26	-	Adjustable	T65REGAUVL	Brass
	26	-	Adjustable	T65REGAUVN	Nickel
Accessories	Lenght			Product code	Finish
TUBE	22			TUB2526L22L	Brass
TUBE	22			TUB2526L22N	Nickel

\* If you wish to order copies of the same key or masterkeying, just add KA or AM at the end of each reference.

\* In the case of Masterkey systems, only available for MKS extensions.

# Security cylinder T60

## Round profiles

682		Metric	Type	Function	Product code	Finish
		23	Mechanic	-	682M23T6NM	
		23	Electric	1 switch & return	682M23T6CR	Nickel
		27	Mechanic	-	682T6NM	Nickel
		27	Electric	1 micro switch	682T61C	Nickel
		27	Electric	1 switch & return	682T6CR	Nickel
		27	Electric	2 micro switches	682T62C	Nickel

\* If you wish to order copies of the same key or masterkeying, just add KA or AM at the end of each reference.

\* In the case of Masterkey systems, only available for MKS extensions.

D